
Message Guide

REQEST (English Version)

auf Basis

ORDERS

Purchase order message

UN D.07A S3

Version: 5.0
Variant: Final
Date of publication: 01.04.2019
Author: THE

| | |
|----------------------------------|----|
| 1 Introduction | 2 |
| 1.1 Functional description | 2 |
| 1.2 Principles | 2 |
| 1.3 Field of application | 2 |
| 1.4 References | 2 |
| 2 Message Structure | 3 |
| 3 Diagram | 4 |
| 4 Segment layout | 5 |
| 5 Applications | 20 |
| 6 Example message | 22 |

1 Introduction

1 Introduction

If bilateral agreements exist, the orderer will use the REQUEST message to send his takeover options or his order for a shipper reported availability during a specified period. In case of changed availability it may be necessary that changed takeover facilities and / or quality-reduced gas (lower calorific value) require a new REQUEST.

1.1 Functional description

This message will be used by the purchaser to inform the shipper about the need for the delivery of gas to one or more grid points during a specified period of time. The here listed definition of this message describes the common practice in the gas industry. However, it does not exclude a use between other market participants than those mentioned in this description.

1.2 Principles

If bilateral agreements exist, the orderer will use the REQUEST message to send his takeover options or his order for a shipper reported availability during a specified period. In case of changed availability it may be necessary that changed takeover facilities and / or quality-reduced gas (lower calorific value) require a new REQUEST.

1.3 Field of application

The REQUEST information relates to a specified period of time. The message can be used to supply the shipper with the shipper accounts to which the gas quantities are to be delivered. In most cases this message triggers a reply message at the receiver. This answer is the request confirmation Message REQRES.

1.4 References

The content of the REQUEST message is based on:

- The EDIFACT UNSM ORDERS 07A definition as published by UN / CEFACT.
- The definition of terms and codes as defined by the 'Message and Workflow Design Working Group'.

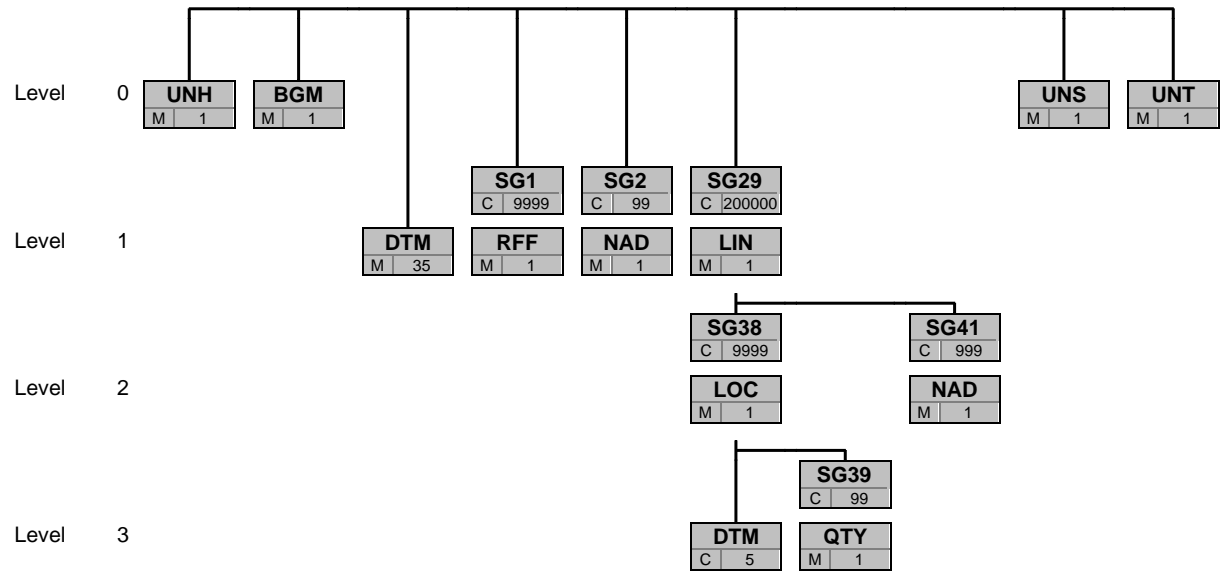
2 Message Structure

| Count | Nr | Seg | St | / DVGW | MaxRep | / DVGW | Level | Content |
|-------|----|-------------|----|-----------|--------|---------------|-------|--|
| 0010 | 1 | UNH | M | M | 1 | 1 | 0 | Opening, identifikation, specification |
| 0020 | 2 | BGM | M | M | 1 | 1 | 0 | Type, function, unique number of the message |
| 0030 | 3 | DTM | M | M | 35 | 1 | 1 | Time zone |
| 0030 | 4 | DTM | M | M | 35 | 1 | 1 | Date and time of the message |
| 0030 | 5 | DTM | M | M | 35 | 1 | 1 | Period of validity |
| 0090 | | SG1 | C | R | 9999 | 1 | 1 | Contract reference |
| 0100 | 6 | RFF | M | M | 1 | 1 | 1 | Contract reference |
| 0120 | | SG2 | C | R | 99 | 1 | 1 | Buyer |
| 0130 | 7 | NAD | M | M | 1 | 1 | 1 | Buyer |
| 0120 | | SG2 | C | R | 99 | 1 | 1 | Seller |
| 0130 | 8 | NAD | M | M | 1 | 1 | 1 | Seller |
| 1100 | | SG29 | C | R | 200000 | 200000 | 1 | LIN |
| 1110 | 9 | LIN | M | M | 1 | 1 | 1 | Position number |
| 1630 | | SG38 | C | R | 9999 | 9999 | 2 | LOC-DTM-SG39 |
| 1640 | 10 | LOC | M | M | 1 | 1 | 2 | Location |
| 1660 | 11 | DTM | C | R | 5 | 1 | 3 | Date, time, period of the following quantities |
| 1670 | | SG39 | C | R | 99 | 1 | 3 | Quantity |
| 1680 | 12 | QTY | M | M | 1 | 1 | 3 | Quantity |
| 1740 | | SG41 | C | R | 999 | 1 | 2 | NAD |
| 1750 | 13 | NAD | M | M | 1 | 1 | 2 | Nomination qualifier |
| 2490 | 14 | UNS | M | M | 1 | 1 | 0 | Section control |
| 2560 | 15 | UNT | M | M | 1 | 1 | 0 | Message trailer |

Seg = Segment
 Counter = Number of Segment
 Nr = Sequential segment number in the guide
 MaxRep = Maximum repetitions of the segment as defined by UN/CEFACT

St = Status
 EDIFACT: M=Muss/Mandatory, C=Conditional
 Anwendung: R=Erforderlich/Required, O=Optional,
 D=Abhängig von/Dependent, N=Nicht benutzt/Not used

3 Diagram



| |
|-----------|
| Seg |
| St MaxRep |

Seg = Segment
 St = Status as defined by UN/CEFACT (M=Muss/Mandatory, C=Conditional)
 MaxRep = Maximum repetitions of the segment as defined by UN/CEFACT

4 Segment layout

| Counte | Nr | Seg | Standard | | DVGW | | Level | Name |
|--------|---|------------|----------|--------|------|--------|--|--|
| | | | St | MaxRep | St | MaxRep | | |
| 0010 | 1 | UNH | M | 1 | M | 1 | 0 | Opening, identifikation, specification |
| | | | Standard | | DVGW | | | |
| Bez | Name | | St | Format | St | Format | Application / Remark | |
| UNH | | | | | | | | |
| 0062 | Nachrichten-Referenznummer | | M | an..14 | M | an..14 | Message reference number <i>Unique reference number generated by the sender.</i> | |
| S009 | Nachrichten-Kennung | | M | | M | | | |
| 0065 | Nachrichtentyp-Kennung | | M | an..6 | M | an..6 | ORDERS Purchase Order | |
| 0052 | Versionsnummer des Nachrichtentyps | | M | an..3 | M | an..3 | D Directory | |
| 0054 | Freigabenummer des Nachrichtentyps | | M | an..3 | M | an..3 | 07A Directory Release | |
| 0051 | Verwaltende Organisation | | M | an..2 | M | an..2 | UN UNECE | |
| 0057 | Anwendungscode der zuständigen Organisation | | C | an..6 | R | an..6 | MGV18 Bilateral abgestimmtes Format für den Datenaustausch mit dem MGV, Stand 01.12. 2018 | |

Explanatory notes:

Example:

UNH+123456+ORDERS:D:07A:UN:MGV18'

Bez = Object identifier
 Nr = Sequential segment number in the guide
 MaxRep = Maximum repetitions of the segment as defined by UN/CEFACT
 Counter = Number of Segment

St = Status
 EDIFACT: M=Muss/Mandatory, C=Conditional
 Anwendung: R=Erforderlich/Required, O=Optional,
 D=Abhängig von/Dependent, N=Nicht benutzt/Not used

4 Segment layout

| Counte | Nr | Seg | Standard | | DVGW | | Level | Name |
|--------|----|-----|----------|--------|------|--------|-------|------|
| | | | St | MaxRep | St | MaxRep | | |

| | | | | | | | | |
|------|---|------------|---|---|---|---|---|--|
| 0020 | 2 | BGM | M | 1 | M | 1 | 0 | Type, function, unique number of the message |
|------|---|------------|---|---|---|---|---|--|

| | | | Standard | DVGW | | |
|------|---|----|----------|------|--------|--|
| Bez | Name | St | Format | St | Format | Application / Remark |
| BGM | | | | | | |
| C002 | Dokumenten-/ Nachrichtenname | C | | R | | |
| 1001 | Dokumentenname, Code | C | an..3 | R | an..3 | 38G Bestellung (verbindlich) |
| 1131 | Codeliste, Code | C | an..17 | N | | Nicht benutzt |
| 3055 | Verantwortliche Stelle für die Codepflege, Code | C | an..3 | C | an..3 | 332 DE, DVGW Service & Consult GmbH |
| C106 | Dokumenten-/Nachrichten- Identifikation | C | | R | | |
| 1004 | Dokumentenummer | C | an..35 | R | an..35 | <i>REQUEST + distinct identification. The sender must ensure that this identification is unique.</i> |

Explanatory notes:

Example:

BGM+38G::332+REQUEST123456'

Bez = Object identifier
 Nr = Sequential segment number in the guide
 MaxRep = Maximum repetitions of the segment as defined by UN/CEFACT
 Counter = Number of Segment

St = Status
 EDIFACT: M=Muss/Mandatory, C=Conditional
 Anwendung: R=Erforderlich/Required, O=Optional,
 D=Abhängig von/Dependent, N=Nicht benutzt/Not used

4 Segment layout

| Counte | Nr | Seg | Standard | | DVGW | | Level | Name |
|--------|----|-----|----------|--------|------|--------|-------|------|
| | | | St | MaxRep | St | MaxRep | | |

| | | | | | | | | |
|------|---|------------|---|----|---|---|---|-----------|
| 0030 | 3 | DTM | M | 35 | M | 1 | 1 | Time zone |
|------|---|------------|---|----|---|---|---|-----------|

| | | | Standard | DVGW | | |
|------|---|----|----------|------|--------|---------------------------------|
| Bez | Name | St | Format | St | Format | Application / Remark |
| DTM | | | | | | |
| C507 | Datum/Uhrzeit/Zeitspanne | M | M | M | M | |
| 2005 | Datums- oder Uhrzeits- oder Zeitspannen-Funktion, Qualifier | M | an..3 | M | an..3 | Z05 Zeitzonen-Definition |
| 2380 | Datum oder Uhrzeit oder Zeitspanne, Wert | C | an..35 | C | an..35 | 0 UTC |
| 2379 | Datums- oder Uhrzeit- oder Zeitspannen-Format, Code | C | an..3 | R | an..3 | 805 Stunden |

Explanatory notes:

Example:

DTM+Z05:0:805'

Bez = Object identifier
 Nr = Sequential segment number in the guide
 MaxRep = Maximum repetitions of the segment as defined by UN/CEFACT
 Counter = Number of Segment

St = Status
 EDIFACT: M=Muss/Mandatory, C=Conditional
 Anwendung: R=Erforderlich/Required, O=Optional,
 D=Abhängig von/Dependent, N=Nicht benutzt/Not used

4 Segment layout

| Counte | Nr | Seg | Standard | | DVGW | | Level | Name |
|--------|----|-----|----------|--------|------|--------|-------|------|
| | | | St | MaxRep | St | MaxRep | | |

| | | | | | | | | |
|------|---|------------|---|----|---|---|---|------------------------------|
| 0030 | 4 | DTM | M | 35 | M | 1 | 1 | Date and time of the message |
|------|---|------------|---|----|---|---|---|------------------------------|

| | | | Standard | DVGW | |
|---|---|----|----------|------|--------|
| Bez | Name | St | Format | St | Format |
| DTM | | | | | |
| C507 | Datum/Uhrzeit/Zeitspanne | M | | M | |
| 2005 | Datums- oder Uhrzeits- oder Zeitspannen-Funktion, Qualifier | M | an..3 | M | an..3 |
| 137 Dokumenten-/Nachrichtendatum/-zeit | | | | | |
| 2380 | Datum oder Uhrzeit oder Zeitspanne, Wert | C | an..35 | R | an..35 |
| 2379 | Datums- oder Uhrzeit- oder Zeitspannen-Format, Code | C | an..3 | R | an..3 |
| 203 CCYYMMDDHHMM | | | | | |

Explanatory notes:

Example:

DTM+137:201810151200:203'

Bez = Object identifier
 Nr = Sequential segment number in the guide
 MaxRep = Maximum repetitions of the segment as defined by UN/CEFACT
 Counter = Number of Segment

St = Status
 EDIFACT: M=Muss/Mandatory, C=Conditional
 Anwendung: R=Erforderlich/Required, O=Optional,
 D=Abhängig von/Dependent, N=Nicht benutzt/Not used

4 Segment layout

| Counte | Nr | Seg | Standard | | DVGW | | Level | Name |
|--------|----|-----|----------|--------|------|--------|-------|------|
| | | | St | MaxRep | St | MaxRep | | |

| | | | | | | | | |
|------|---|------------|---|----|---|---|---|--------------------|
| 0030 | 5 | DTM | M | 35 | M | 1 | 1 | Period of validity |
|------|---|------------|---|----|---|---|---|--------------------|

| | | | Standard | DVGW | | |
|------|---|----|----------|------|--------|-------------------------------------|
| Bez | Name | St | Format | St | Format | Application / Remark |
| DTM | | | | | | |
| C507 | Datum/Uhrzeit/Zeitspanne | M | | M | | |
| 2005 | Datums- oder Uhrzeits- oder Zeitspannen-Funktion, Qualifier | M | an..3 | M | an..3 | Z01 Gültigkeitszeitraum |
| 2380 | Datum oder Uhrzeit oder Zeitspanne, Wert | C | an..35 | R | an..35 | |
| 2379 | Datums- oder Uhrzeit- oder Zeitspannen-Format, Code | C | an..3 | R | an..3 | 719 CCYYMMDDHHMMCCYYMMDDHHMM |

Explanatory notes:

Example:

DTM+Z01:201810150400201810150500:719'

Bez = Object identifier
 Nr = Sequential segment number in the guide
 MaxRep = Maximum repetitions of the segment as defined by UN/CEFACT
 Counter = Number of Segment

St = Status
 EDIFACT: M=Muss/Mandatory, C=Conditional
 Anwendung: R=Erforderlich/Required, O=Optional,
 D=Abhängig von/Dependent, N=Nicht benutzt/Not used

4 Segment layout

| Counte | Nr | Seg | Standard | | DVGW | | Level | Name |
|--------|----|------------|----------|--------|------|--------|-------|---------------------------|
| | | | St | MaxRep | St | MaxRep | | |
| 0090 | | SG1 | C | 9999 | R | 1 | 1 | Contract reference |

| | | | | | | | | |
|------|---|------------|---|---|---|---|---|---------------------------|
| 0100 | 6 | RFF | M | 1 | M | 1 | 1 | Contract reference |
|------|---|------------|---|---|---|---|---|---------------------------|

| | | | Standard | | DVGW | | | |
|------|--------------------------|--|----------|--------|------|--------|---------------------------|--|
| Bez | Name | | St | Format | St | Format | Application / Remark | |
| RFF | | | | | | | | |
| C506 | Referenz | | M | | M | | | |
| 1153 | Referenz, Qualifier | | M | an..3 | M | an..3 | CT Einzelvertrag | |
| 1154 | Referenz, Identifikation | | C | an..70 | R | an..70 | <i>Contract reference</i> | |

Explanatory notes:

Example:

RFF+CT;THE0BFL012345678 '

Bez = Object identifier
 Nr = Sequential segment number in the guide
 MaxRep = Maximum repetitions of the segment as defined by UN/CEFACT
 Counter = Number of Segment

St = Status
 EDIFACT: M=Muss/Mandatory, C=Conditional
 Anwendung: R=Erforderlich/Required, O=Optional,
 D=Abhängig von/Dependent, N=Nicht benutzt/Not used

4 Segment layout

| Counte | Nr | Seg | Standard | | DVGW | | Level | Name |
|--------|----|------------|----------|--------|------|--------|-------|-------|
| | | | St | MaxRep | St | MaxRep | | |
| 0120 | | SG2 | C | 99 | R | 1 | 1 | Buyer |
| 0130 | 7 | NAD | M | 1 | M | 1 | 1 | Buyer |

| | | | Standard | DVGW | | |
|------|---|--|-----------|-----------|--|--|
| Bez | Name | | St Format | St Format | Application / Remark | |
| NAD | | | | | | |
| 3035 | Beteiligter, Qualifier | | M an..3 | M an..3 | BY Käufer | |
| C082 | Identifikation des Beteiligten | | C | R | | |
| 3039 | Beteiligter, Identifikation | | M an..35 | M an..35 | | |
| 1131 | Codeliste, Code | | C an..17 | N | Nicht benutzt | |
| 3055 | Verantwortliche Stelle für die Codepflege, Code | | C an..3 | R an..3 | 332 DE, DVGW Service & Consult GmbH | |

Explanatory notes:
Buyer is always THE.

Example:
NAD+BY+9800505300009::332'

Bez = Object identifier
 Nr = Sequential segment number in the guide
 MaxRep = Maximum repetitions of the segment as defined by UN/CEFACT
 Counter = Number of Segment

St = Status
 EDIFACT: M=Muss/Mandatory, C=Conditional
 Anwendung: R=Erforderlich/Required, O=Optional,
 D=Abhängig von/Dependent, N=Nicht benutzt/Not used

4 Segment layout

| Counte | Nr | Seg | Standard | | DVGW | | Level | Name |
|--------|----|------------|----------|--------|------|--------|-------|---------------|
| | | | St | MaxRep | St | MaxRep | | |
| 0120 | | SG2 | C | 99 | R | 1 | 1 | Seller |
| 0130 | 8 | NAD | M | 1 | M | 1 | 1 | Seller |

| | | | Standard | DVGW | | |
|------|---|----|----------|------|--------|--|
| Bez | Name | St | Format | St | Format | Application / Remark |
| NAD | | | | | | |
| 3035 | Beteiligter, Qualifier | M | an..3 | M | an..3 | SE Verkäufer |
| C082 | Identifikation des Beteiligten | C | | R | | |
| 3039 | Beteiligter, Identifikation | M | an..35 | M | an..35 | |
| 1131 | Codeliste, Code | C | an..17 | N | | Nicht benutzt |
| 3055 | Verantwortliche Stelle für die Codepflege, Code | C | an..3 | R | an..3 | 9 GS1 332 DE, DVGW Service & Consult GmbH |

Explanatory notes:

Seller is always provider/supplier of balancing gas.

Example:

NAD+SE+9800123456789: : 332'

Bez = Object identifier
 Nr = Sequential segment number in the guide
 MaxRep = Maximum repetitions of the segment as defined by UN/CEFACT
 Counter = Number of Segment

St = Status
 EDIFACT: M=Muss/Mandatory, C=Conditional
 Anwendung: R=Erforderlich/Required, O=Optional,
 D=Abhängig von/Dependent, N=Nicht benutzt/Not used

4 Segment layout

| Counte | Nr | Seg | Standard | | DVGW | | Level | Name |
|--------|-----------------|-------------|-----------|--------|-----------|--------|-----------------------------------|------------------------|
| | | | St | MaxRep | St | MaxRep | | |
| 1100 | | SG29 | C | 200000 | R | 200000 | 1 | LIN |
| 1110 | 9 | LIN | M | 1 | M | 1 | 1 | Position number |
| | | | Standard | | DVGW | | | |
| Bez | Name | | St Format | | St Format | | Application / Remark | |
| LIN | | | | | | | | |
| 1082 | Positionsnummer | | C an..6 | | R an..6 | | <i>Sequential number (1 to n)</i> | |

Explanatory notes:

LIN-1082 is an identification assigned by the sender of the message. It is used to unequivocally identify every occurrence of a position number. NCG recommends a numerical sequence starting with '1' and increasing incrementally by '1' for every further occurrence of a LIN segment.

Example:

LIN+1'

Bez = Object identifier
 Nr = Sequential segment number in the guide
 MaxRep = Maximum repetitions of the segment as defined by UN/CEFACT
 Counter = Number of Segment

St = Status
 EDIFACT: M=Muss/Mandatory, C=Conditional
 Anwendung: R=Erforderlich/Required, O=Optional,
 D=Abhängig von/Dependent, N=Nicht benutzt/Not used

4 Segment layout

| Counte | Nr | Seg | Standard | | DVGW | | Level | Name |
|--------|----|-------------|----------|--------|------|--------|-------|--------------|
| | | | St | MaxRep | St | MaxRep | | |
| 1100 | | SG29 | C | 200000 | R | 200000 | 1 | LIN |
| 1630 | | SG38 | C | 9999 | R | 9999 | 2 | LOC-DTM-SG39 |
| 1640 | 10 | LOC | M | 1 | M | 1 | 2 | Location |

| | | | Standard | DVGW | | |
|------|---|----|----------|------|--------|---|
| Bez | Name | St | Format | St | Format | Application / Remark |
| LOC | | | | | | |
| 3227 | Ortsangabe, Qualifier | M | an..3 | M | an..3 | Code for the identification of a location. Z19 Netzkopplungspunkt |
| C517 | Ortsangabe | C | | C | | |
| 3225 | Ortsangabe, Nummer | C | an..35 | C | an..35 | VTP nomination qualifier |
| 1131 | Codeliste, Code | C | an..17 | N | | Nicht benutzt |
| 3055 | Verantwortliche Stelle für die Codepflege, Code | C | an..3 | C | an..3 | 332 DE, DVGW Service & Consult GmbH |

Explanatory notes:

37Z005053MH0000D = VTP-nomination qualifier for H-Gas

37Z005053MH0000D = VTP-nomination qualifier for L-Gas

Example:

LOC+Z19+37Z005053MH0000D::332'

Bez = Object identifier
 Nr = Sequential segment number in the guide
 MaxRep = Maximum repetitions of the segment as defined by UN/CEFACT
 Counter = Number of Segment

St = Status
 EDIFACT: M=Muss/Mandatory, C=Conditional
 Anwendung: R=Erforderlich/Required, O=Optional,
 D=Abhängig von/Dependent, N=Nicht benutzt/Not used

4 Segment layout

| Counte | Nr | Seg | Standard | | DVGW | | Level | Name |
|--------|----|-------------|----------|--------|------|--------|-------|---|
| | | | St | MaxRep | St | MaxRep | | |
| 1100 | | SG29 | C | 200000 | R | 200000 | 1 | LIN |
| 1630 | | SG38 | C | 9999 | R | 9999 | 2 | LOC-DTM-SG39 |
| 1660 | 11 | DTM | C | 5 | R | 1 | 3 | Date, time, period of the following quantities |

| Bez | Name | Standard | | DVGW | | Application / Remark |
|------|---|----------|--------|------|--------|--|
| | | St | Format | St | Format | |
| DTM | | | | | | |
| C507 | Datum/Uhrzeit/Zeitspanne | M | | M | | |
| 2005 | Datums- oder Uhrzeits- oder Zeitspannen-Funktion, Qualifier | M | an..3 | M | an..3 | 2 Liefertermin (-datum/ -zeit), gewünschter |
| 2380 | Datum oder Uhrzeit oder Zeitspanne, Wert | C | an..35 | R | an..35 | |
| 2379 | Datums- oder Uhrzeit- oder Zeitspannen-Format, Code | C | an..3 | R | an..3 | 719 CCYYMMDDHHMMCCYYMMDDHHMM |

Explanatory notes:

Example:

DTM+2:201810150400201810150500:719'

Bez = Object identifier
 Nr = Sequential segment number in the guide
 MaxRep = Maximum repetitions of the segment as defined by UN/CEFACT
 Counter = Number of Segment

St = Status
 EDIFACT: M=Muss/Mandatory, C=Conditional
 Anwendung: R=Erforderlich/Required, O=Optional,
 D=Abhängig von/Dependent, N=Nicht benutzt/Not used

4 Segment layout

| Counte | Nr | Seg | Standard | | DVGW | | Level | Name |
|--------|----|-------------|----------|--------|------|--------|-------|--------------|
| | | | St | MaxRep | St | MaxRep | | |
| 1100 | | SG29 | C | 200000 | R | 200000 | 1 | LIN |
| 1630 | | SG38 | C | 9999 | R | 9999 | 2 | LOC-DTM-SG39 |
| 1670 | | SG39 | C | 99 | R | 1 | 3 | Quantity |
| 1680 | 12 | QTY | M | 1 | M | 1 | 3 | Quantity |

| | | | Standard | | DVGW | | | |
|------|------------------|--|----------|--------|------|--------|---|--|
| Bez | Name | | St | Format | St | Format | Application / Remark | |
| QTY | | | | | | | | |
| C186 | Mengenangaben | | M | | M | | | |
| 6063 | Menge, Qualifier | | M | an..3 | M | an..3 | 1 Diskrete Menge | |
| 6060 | Menge | | M | an..35 | M | an..35 | Quantity as an integer value | |
| 6411 | Maßeinheit, Code | | C | an..8 | R | an..8 | KW1 Kilowattstunden pro Stunde (kWh/h) | |

Explanatory notes:
 Only one quantity per LOC in segment group 36 is allowed.

Example:
 QTY+1:2222:KW1'

Bez = Object identifier
 Nr = Sequential segment number in the guide
 MaxRep = Maximum repetitions of the segment as defined by UN/CEFACT
 Counter = Number of Segment

St = Status
 EDIFACT: M=Muss/Mandatory, C=Conditional
 Anwendung: R=Erforderlich/Required, O=Optional,
 D=Abhängig von/Dependent, N=Nicht benutzt/Not used

4 Segment layout

| Counte | Nr | Seg | Standard | | DVGW | | Level | Name |
|--------|----|-------------|----------|--------|------|--------|-------|-----------------------------|
| | | | St | MaxRep | St | MaxRep | | |
| 1100 | | SG29 | C | 200000 | R | 200000 | 1 | LIN |
| 1740 | | SG41 | C | 999 | R | 1 | 2 | NAD |
| 1750 | 13 | NAD | M | 1 | M | 1 | 2 | Nomination qualifier |

| Bez | Name | Standard | | DVGW | | Application / Remark |
|------|---|----------|--------|------|--------|-----------------------------|
| | | St | Format | St | Format | |
| NAD | | | | | | |
| 3035 | Beteiligter, Qualifier | M | an..3 | N | | Nicht benutzt |
| C082 | Identifikation des Beteiligten | C | | R | | |
| 3039 | Beteiligter, Identifikation | M | an..35 | M | an..35 | <i>Nomination qualifier</i> |
| 1131 | Codeliste, Code | C | an..17 | N | | Nicht benutzt |
| 3055 | Verantwortliche Stelle für die Codepflege, Code | C | an..3 | R | an..3 | ZZZ |

Explanatory notes:

Example for the structure of a nomination qualifier for SystemBuy (Supply by the balancing gas supplier, purchase by the MAM)

TRADERRPHS0001

TRADER: System name of the balancing gas supplier

R: Product, here: Rest of the Day

P: Direction, here: Provision

HS: Supply zone, here: H-Gas Süd

0001: Sequential alphanumeric number

Example for the structure of a nomination qualifier for SystemBell (Supply by the MAM, purchase by the balancing gas supplier)

TRADERSOWV0001

TRADER: System name of the balancing gas supplier

S: Product, here: Hourly

O: Direction, here: Offtake

WV: Supply zone, here: Winterswijk/Vreden

0001: Sequential alphanumeric number

Example for the structure of a nomination qualifier for SSBO

TRADERRPSZNC70001

TRADER: System name of the SSBO partner

R: Product, here: Rest of the Day

P: Direction, here: Provision

SZN: Supply zone

C7: Storage alias

0001: Sequential alphanumeric number

Example:

NAD++TRADERRPHS0001::ZZZ'

Bez = Object identifier
 Nr = Sequential segment number in the guide
 MaxRep = Maximum repetitions of the segment as defined by UN/CEFACT
 Counter = Number of Segment

St = Status
 EDIFACT: M=Muss/Mandatory, C=Conditional
 Anwendung: R=Erforderlich/Required, O=Optional,
 D=Abhängig von/Dependent, N=Nicht benutzt/Not used

4 Segment layout

| Counte | Nr | Seg | Standard | | DVGW | | Level | Name |
|--------|----|-----|----------|--------|------|--------|-------|------|
| | | | St | MaxRep | St | MaxRep | | |

| | | | | | | | | |
|------|----|------------|---|---|---|---|---|-----------------|
| 2490 | 14 | UNS | M | 1 | M | 1 | 0 | Section control |
|------|----|------------|---|---|---|---|---|-----------------|

| | | | Standard | DVGW | | | |
|------|----------------------------|--|----------|--------|----|--------|--|
| Bez | Name | | St | Format | St | Format | Application / Remark |
| UNS | | | | | | | |
| 0081 | Abschnittskennung, codiert | | M | a1 | M | a1 | Section identification S Detail/Schlussteil-Trennung |

Explanatory notes:

Example:

UNS+S'

Bez = Object identifier
 Nr = Sequential segment number in the guide
 MaxRep = Maximum repetitions of the segment as defined by UN/CEFACT
 Counter = Number of Segment

St = Status
 EDIFACT: M=Muss/Mandatory, C=Conditional
 Anwendung: R=Erforderlich/Required, O=Optional,
 D=Abhängig von/Dependent, N=Nicht benutzt/Not used

4 Segment layout

| Counte | Nr | Seg | Standard | | DVGW | | Level | Name |
|--------|----|-----|----------|--------|------|--------|-------|------|
| | | | St | MaxRep | St | MaxRep | | |

| | | | | | | | | |
|------|----|------------|---|---|---|---|---|-----------------|
| 2560 | 15 | UNT | M | 1 | M | 1 | 0 | Message trailer |
|------|----|------------|---|---|---|---|---|-----------------|

| | | | Standard | DVGW | |
|------|--|--|----------|--------|---|
| Bez | Name | | St | Format | Application / Remark |
| UNT | | | | | |
| 0074 | Anzahl der Segmente in einer Nachricht | | M | n..6 | M n..6 |
| 0062 | Nachrichten-Referenznummer | | M | an..14 | M an..14 <i>Unique reference number generated by the sender. Must be identical with the reference given in UNH-0062.</i> |

Explanatory notes:

Number of segments in the message (including UNH & UNT)

Example:

UNT+15+123456'

Bez = Object identifier
 Nr = Sequential segment number in the guide
 MaxRep = Maximum repetitions of the segment as defined by UN/CEFACT
 Counter = Number of Segment

St = Status
 EDIFACT: M=Muss/Mandatory, C=Conditional
 Anwendung: R=Erforderlich/Required, O=Optional,
 D=Abhängig von/Dependent, N=Nicht benutzt/Not used

5 Applications

| EDIFACT Structure | Description | Balancing gas demand |
|-------------------|--------------------|----------------------|
| | Communication from | MAM to BGM |

| | | |
|--|---|-------------|
| Opening, identifikation, specification | | |
| UNH | | Muss |
| UNH 0062 | Message reference number | X |
| UNH 0065 | ORDER Purchase Order | X |
| UNH 0052 | S Directory | X |
| UNH 0054 | 07A Directory Release | X |
| UNH 0051 | UN UN/ECE | X |
| UNH 0057 | MGV18 Bilateral abgestimmtes Format für den Datenaustausch mit dem MGV, Stand 01.12.2018 | X |
| Type, function, unique number of the message | | |
| BGM | | Muss |
| BGM 1001 | 38G Bestellung (verbindlich) | X |
| BGM 3055 | 332 DE, DVGW Service & Consult GmbH | X |
| BGM 1004 | Document identifier | X |
| Time zone | | |
| DTM | | Muss |
| DTM 2005 | Z05 Zeitzonen-Definition | X |
| DTM 2380 | 0 UTC | X |
| DTM 2379 | 805 Stunden | X |
| Date and time of the message | | |
| DTM | | Muss |
| DTM 2005 | 137 Dokumenten-/ Nachrichtendatum/-zeit | X |
| DTM 2380 | Date or time or period text | X |
| DTM 2379 | 203 CCYYMMDDHHMM | X |
| Period of validity | | |
| DTM | | Muss |
| DTM 2005 | Z01 Gültigkeitszeitraum | X |
| DTM 2380 | Date or time or period text | X |
| DTM 2379 | 719 CCYYMMDDHHMMCCYYM MDDHHMM | X |
| Contract reference | | |
| SG1 | | Muss |
| SG1 RFF | | Muss |
| SG1 RFF 1153 | CT Einzelvertrag | X |
| SG1 RFF 1154 | Reference identifier | X |
| Buyer | | |
| SG2 | | Muss |
| SG2 NAD | | Muss |
| SG2 NAD 3035 | BY Käufer | X |
| SG2 NAD 3039 | Party identifier | X |
| SG2 NAD 3055 | 332 DE, DVGW Service & Consult GmbH | X |
| Seller | | |
| SG2 | | Muss |

5 Applications

| EDIFACT Structure | Description Communication from | Balancing gas demand MAM to BGM |
|--|--|------------------------------------|
| SG2 NAD | | Muss |
| SG2 NAD 3035 | SE Verkäufer | X |
| SG2 NAD 3039 | Party identifier | X |
| SG2 NAD 3055 | 9 GS1 | X |
| | 332 DE, DVGW Service & Consult GmbH | X |
| <hr/> | | |
| Position number | | |
| SG29 | | Muss |
| SG29 LIN | | Muss |
| SG29 LIN 1082 | Line item identifier | X |
| <hr/> | | |
| Location | | |
| SG38 | | |
| SG38 LOC | | Muss |
| SG38 LOC 3227 | Z19 Netzkopplungspunkt | X |
| SG38 LOC 3225 | Location identifier | X |
| SG38 LOC 3055 | 332 DE, DVGW Service & Consult GmbH | X |
| <hr/> | | |
| Date, time, period of the following quantities | | |
| SG38 | | |
| SG38 DTM | | Muss |
| SG38 DTM 2005 | 2 Liefertermin (-datum/ -zeit), gewünschter | X |
| SG38 DTM 2380 | Date or time or period text | X |
| SG38 DTM 2379 | 719 CCYYMMDDHHMMCCYYM MDDHHMM | X |
| <hr/> | | |
| Quantity | | |
| SG39 | | Muss |
| SG39 QTY | | Muss |
| SG39 QTY 6063 | 1 Diskrete Menge | X |
| SG39 QTY 6060 | Quantity | X |
| SG39 QTY 6411 | KW1 Kilowattstunden pro Stunde (kWh/h) | X |
| <hr/> | | |
| Nomination qualifier | | |
| SG41 | | Muss |
| SG41 NAD | | Muss |
| SG41 NAD 3039 | Party identifier | X |
| SG41 NAD 3055 | ZZZ | X |
| <hr/> | | |
| Section control | | |
| UNS | | Muss |
| UNS 0081 | S Detail/Schluss teil-Trennung | X |
| <hr/> | | |
| Message trailer | | |
| UNT | | Muss |
| UNT 0074 | Number of segments in the message | X |
| UNT 0062 | Message reference number | X |

6 Example message

UNB+UNOA:1+9870112500011:502+9800123456789:502+181201:1457+654321 '
UNH+123456+ORDERS:D:07A:UN:MGV18 '
BGM+38G::321+REQUEST123456 '
DTM+Z05:0:805 '
DTM+137:201810151200:203 '
DTM+Z01:201810150400201810160400:719 '
RFF+CT:THE0BFL012345678 '
NAD+BY+9800505300009::332 '
NAD+SE+9800123456789::332 '
LIN+1 '
LOC+Z19+37Z005053MH0000D::332 '
DTM+2:201810150400201810160400:719 '
QTY+1:2222:KW1 '
NAD++TRADERRPHS0001::ZZZ '
UNS+S '
UNT+15+123456 '
UNZ+1+654321 '